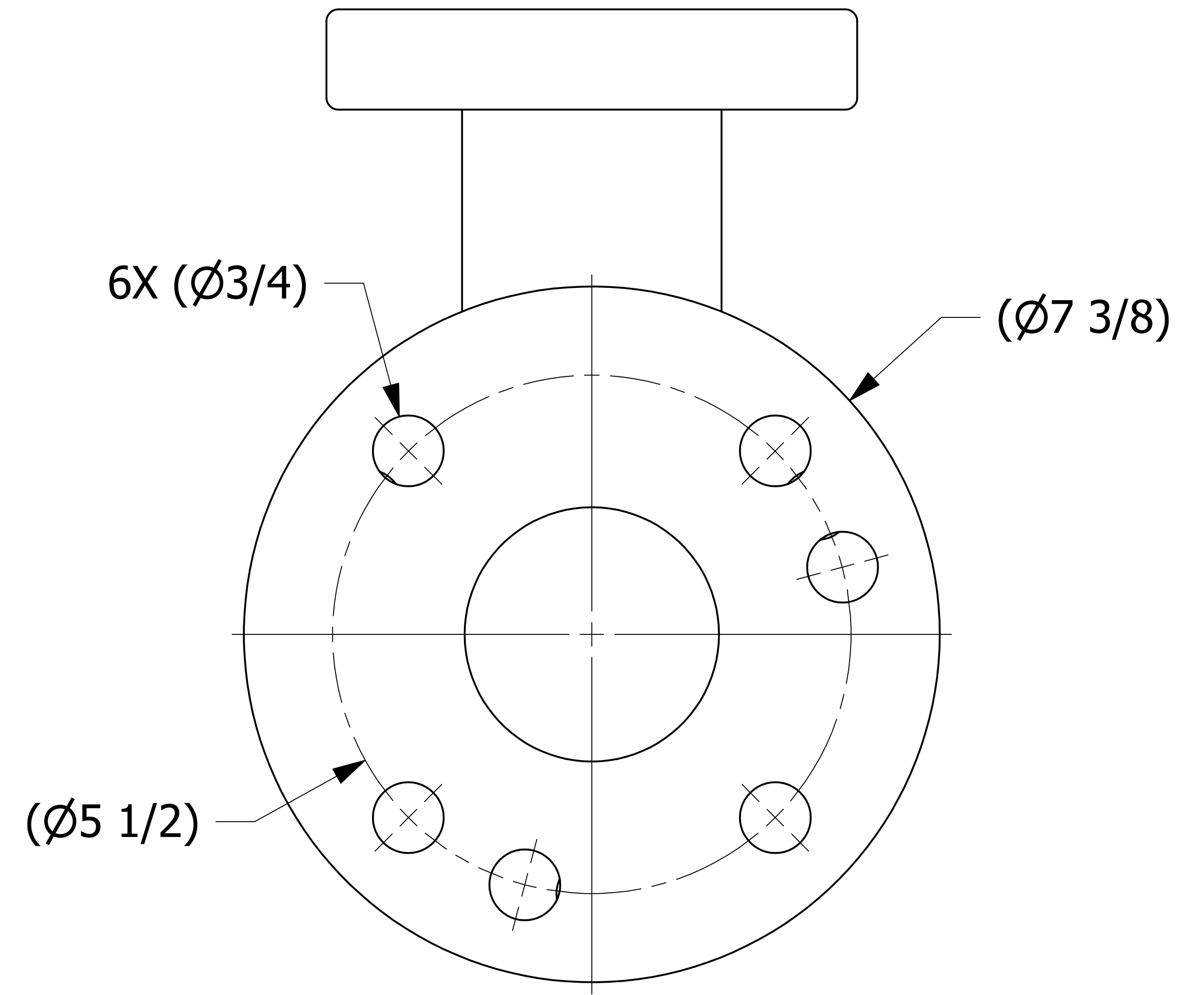
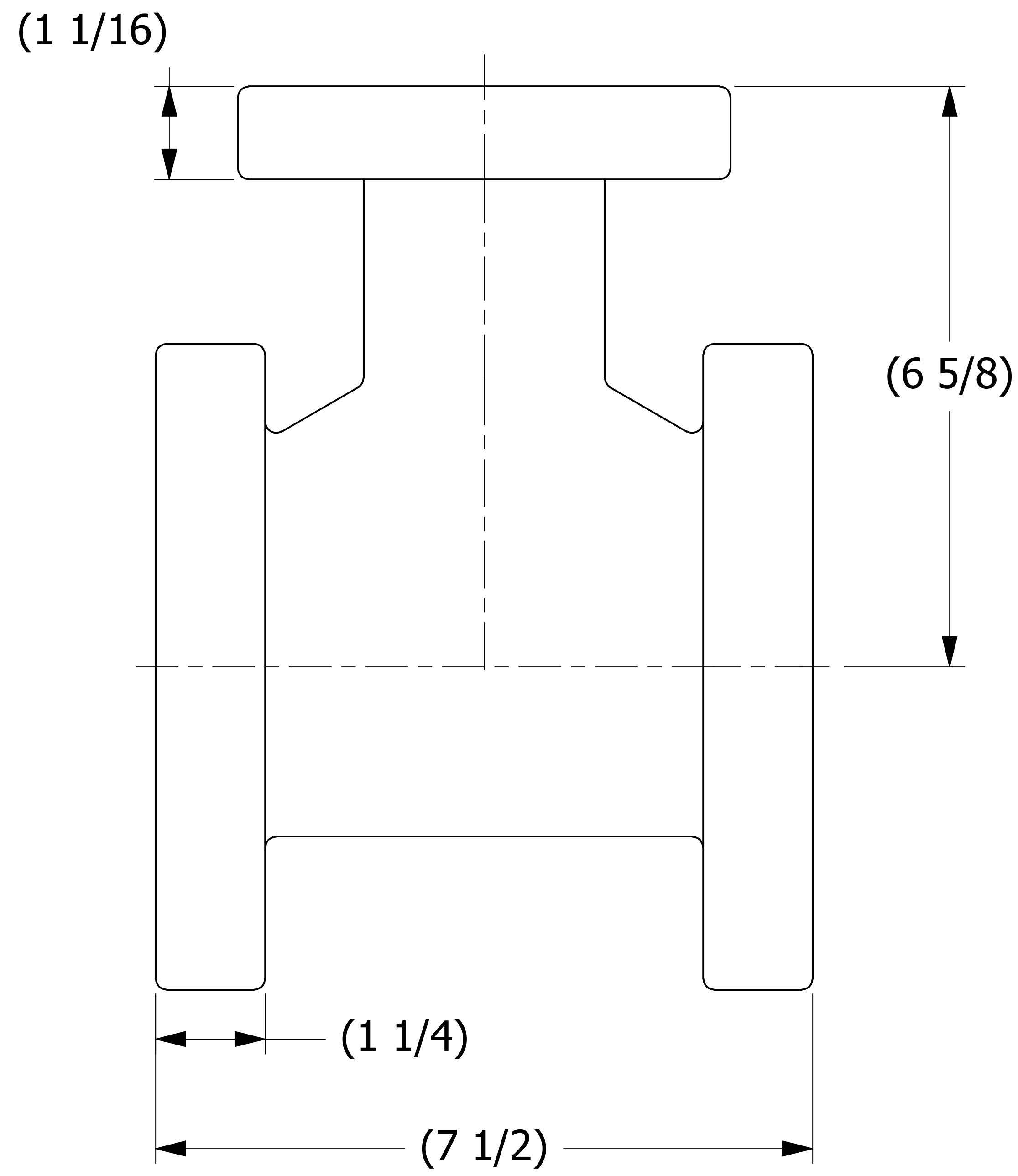
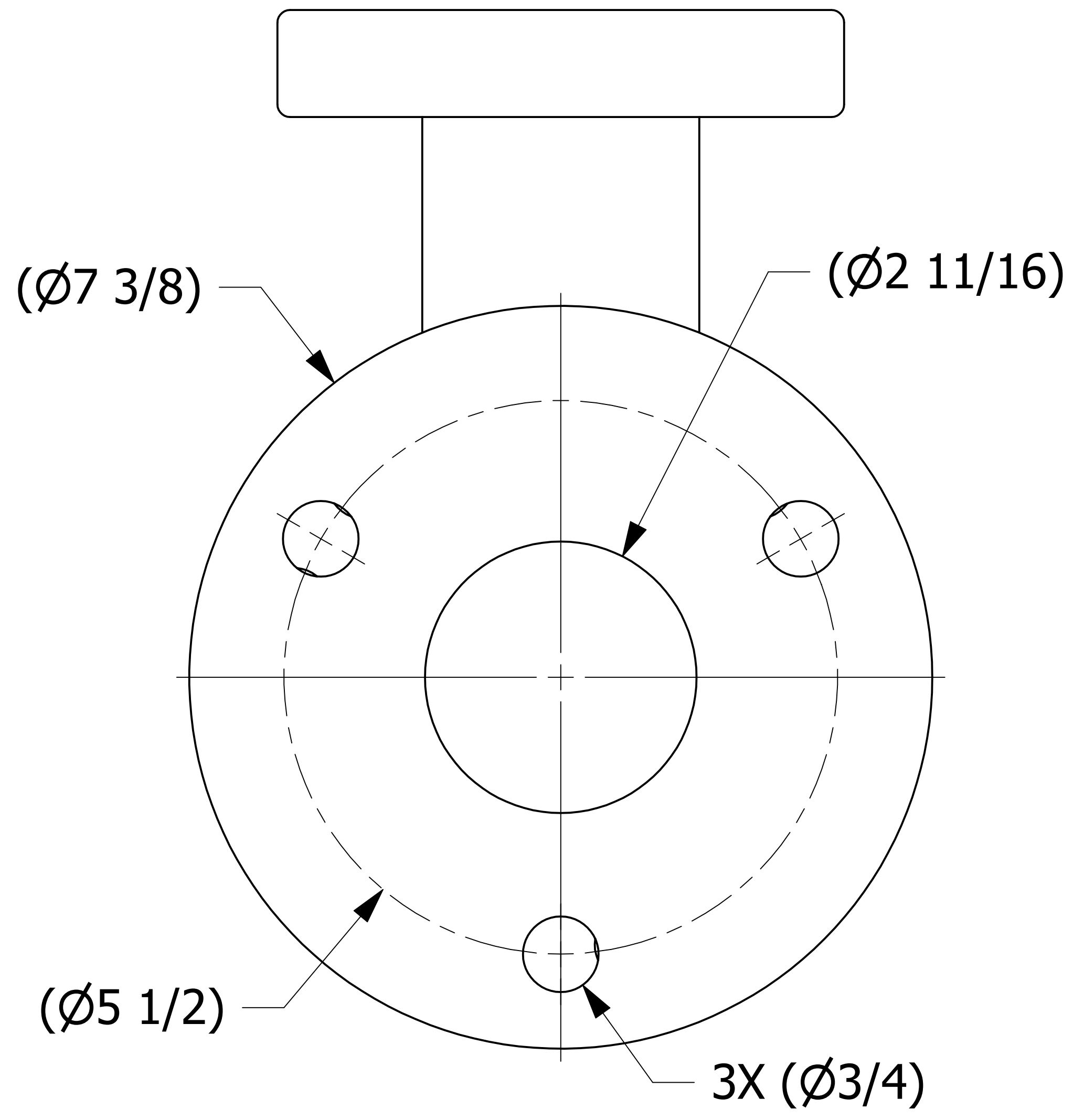
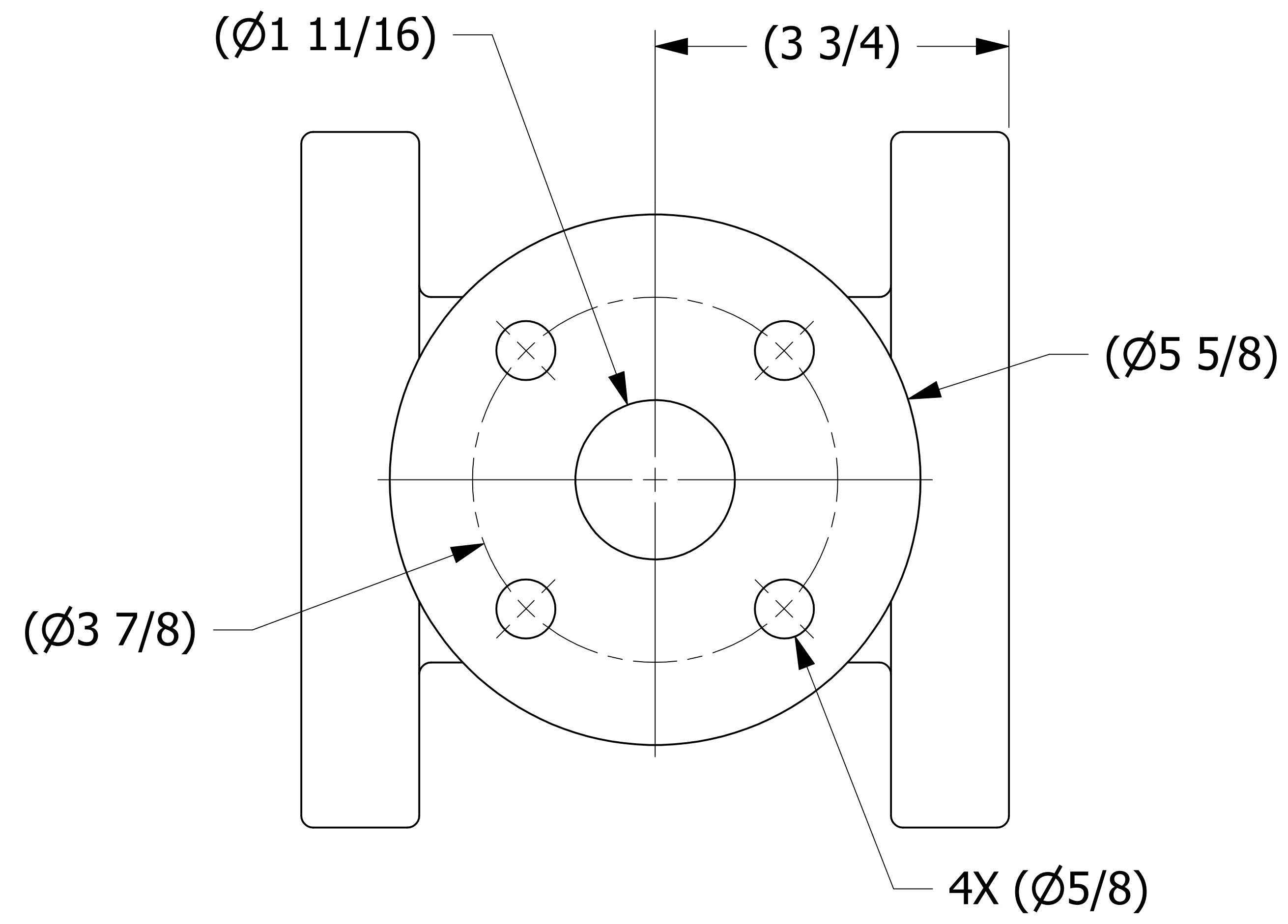


SALES DRAWING SALES DRAWING SALES

SALES DRAWING SALES DRAWING SALES



B	CHL	5-23-06	REPLACED E21404 WITH TQI9HCL
A	CHL	3-9-06	NEW PART ADDD TO SYSTEM
REV	BY	DATE	DESCRIPTION

UNLESS OTHERWISE SPECIFIED DIMENSIONAL TOLERANCES	DRAWN BY:	CHL
FRACTIONAL: $\pm 1/16$	CHECKED BY:	ACC
X.XX: $\pm .03$	PROTOTYPE BY:	CHL
X.XX: $\pm .015$	PROTOTYPE DATE:	12/27/2005
ANGULAR: $\pm 1^\circ$	APPROVED FOR PRODUCTION BY:	ACC
THIRD ANGLE PROJECTION	PRODUCTION DATE:	3/9/2006

SALCO PRODUCTS, INC.

PART NAME: **TEE 1 1/2" X 3"**

MATERIAL: **SEE NOTES**

PROJECT #: **051209** SHEET #: **1 OF 1** SCALE: **1:1**

DRAWING #: **E21381** PART #: **TQI9RLB**

THIS PRINT, PROPERTY OF SALCO PRODUCTS INC. CONTAINS PROPRIETARY INFORMATION AND MUST NOT BE COPIED, REPRODUCED, OR USED DETRIMENTALLY TO OUR INTEREST.

